



Troupe Object

Troupe was inspired by the sculptural and poetic dancers in the Triadic Ballet. Featuring expressive ruff-like arrays of delicate brass rings with figurative ceramic forms—evoking movement, counterpoise and performance through material and light.

A table top object in the series, elegant and astute. Informed by Nietzschean ideas of the strict and reserved versus the emotional and dramatic.



NEBULA WHITE



SMOKED MIRROR



STRIPE GREY

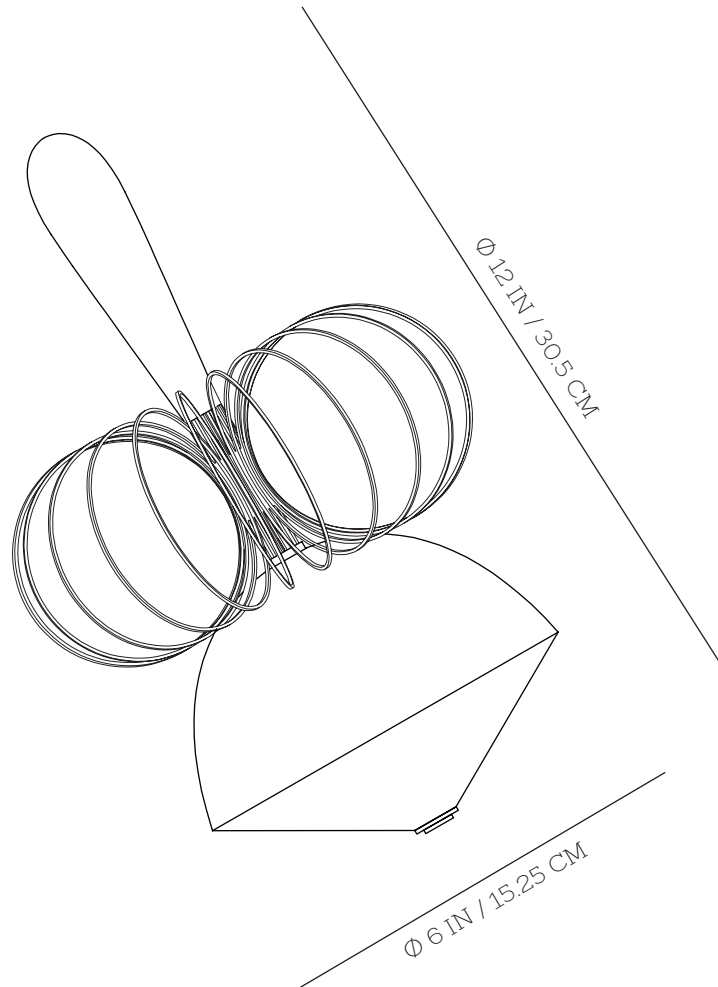


Troupe Glaze Palette

Troupe glaze palette is pared to three brilliant, neutral colors.

Smoked Mirror—magically reflective with hints of chrome to smokey green.

Nebula White—a glossy layering of soft whites. Stripe Grey—dark matte grey with stately contrasting stripes.



Troupe Object

SERIES

Troupe

DIMENSION

Ø 6" × H 12"
15.25 CM × 30.5 CM

PRODUCTION

made-to-order

PRICE

\$2000

MATERIAL

slip cast ceramic,
brass

WEIGHT

2 LB / .9 KG

LEAD TIME

8-10 weeks

INQUIRE

hello@brave-matter.com

COLOR & FINISH

3 glaze options
waxed brass